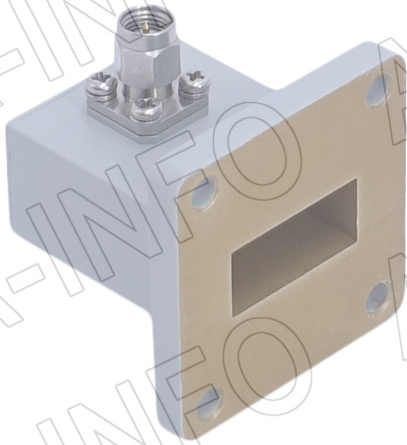


For reference only. See data sheet for the detailed specifications.

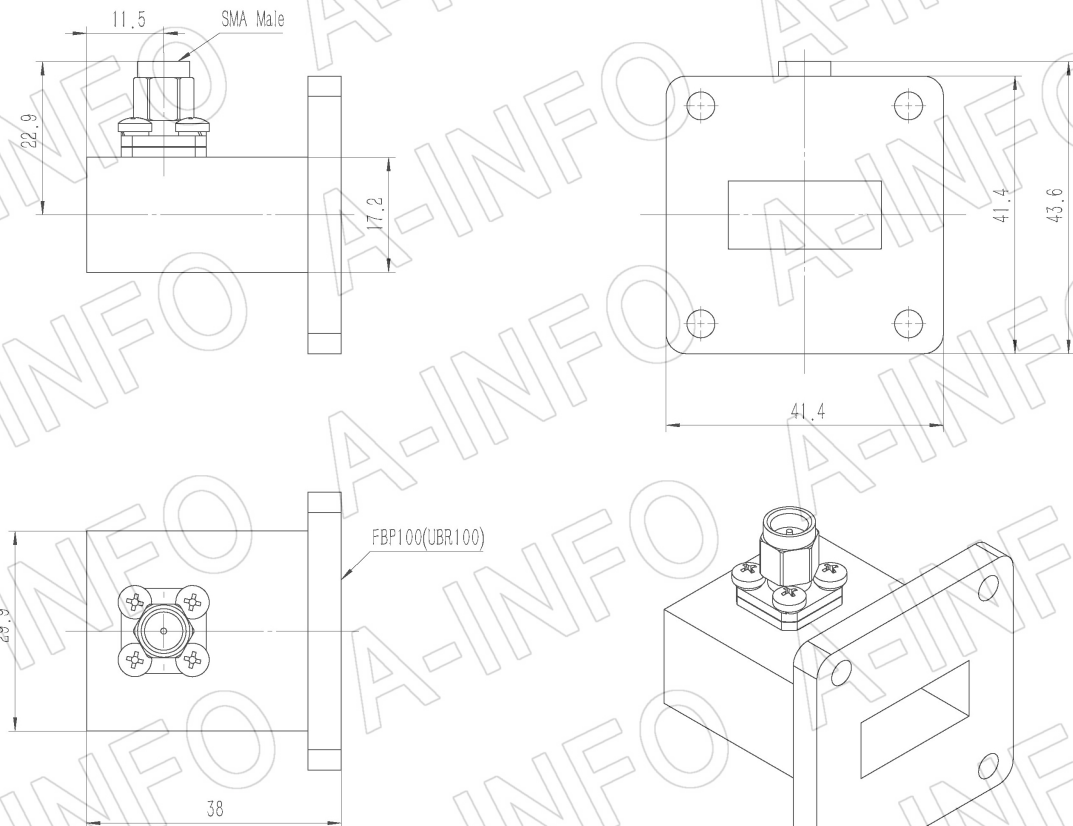
Technical Specification



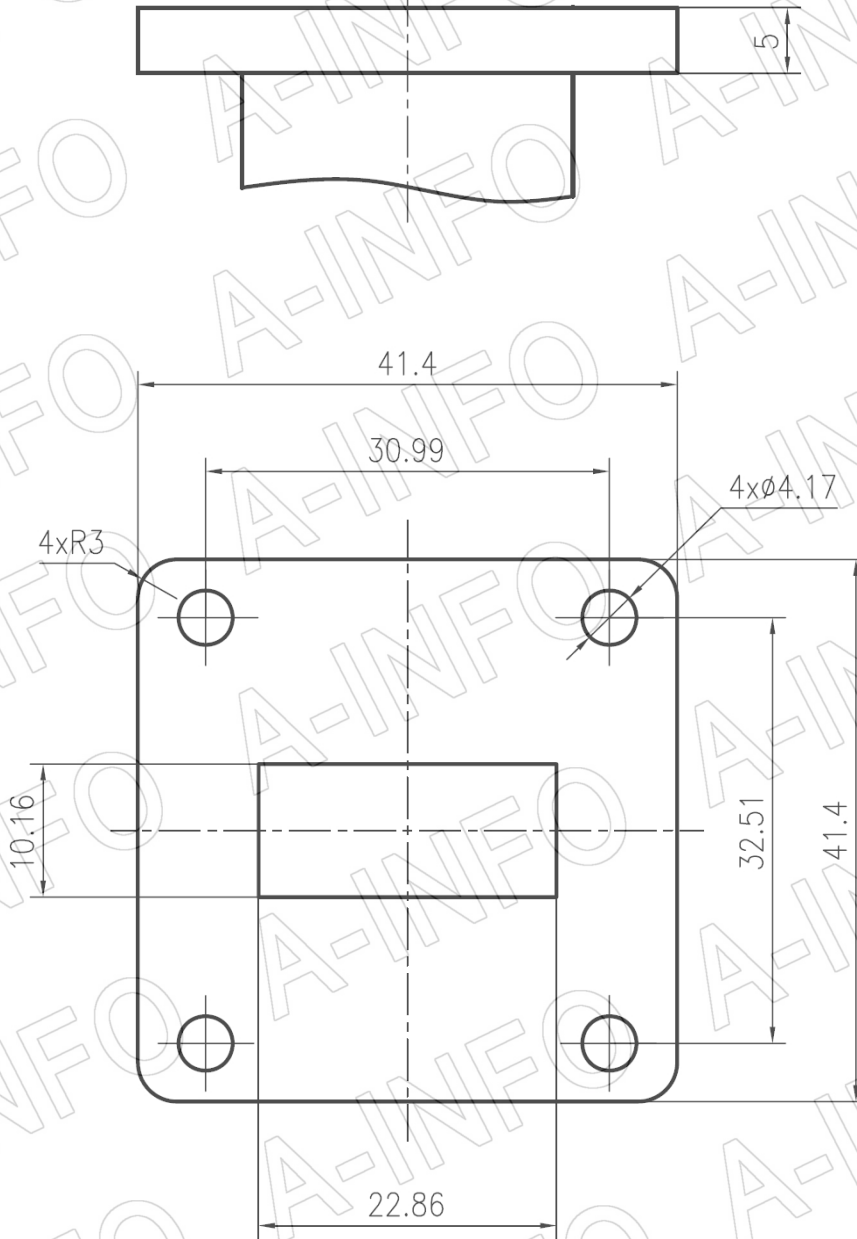
EIA WR	WR90
Frequency Range(GHz)	8.2 – 12.4
Insertion Loss(dB)	0.23 Max.
VSWR	1.25:1 Max.
Flange	FBP100(UBR100)
Connector	SMA-Male
Average Power(W CW)	50 Max.
Peak Power(KW)	3
Material	Al
Size(mm)	38 x 41.4 x 41.4
Net Weight(Kg)	0.05 Around

Outline Drawing (Size: mm)

SMA-Male Output (P/N: 90WCASM)



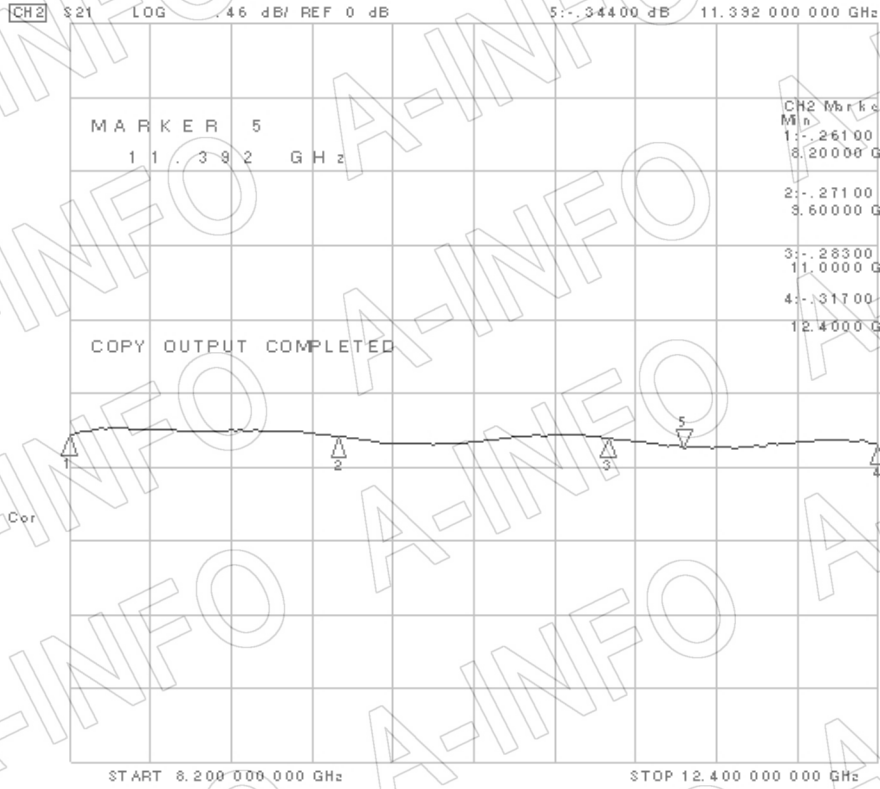
Flange Drawing (Size: mm)



FBP100

Test Results

I. L. (Test with two adapters back to back)



VSWR

